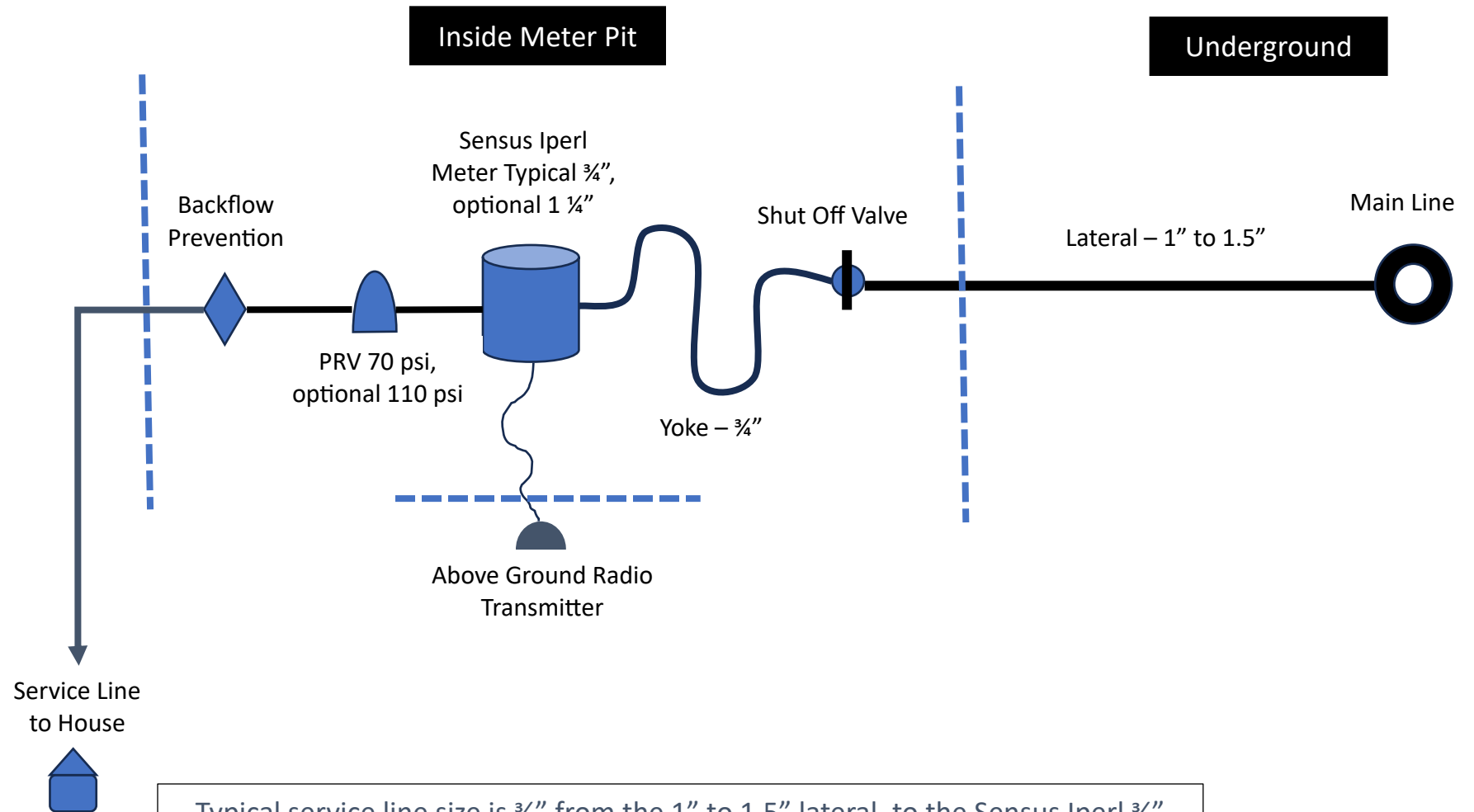


# Interlaken Town Water Service Line



Typical service line size is 3/4" from the 1" to 1.5" lateral, to the Sensus Iperl 3/4" meter, through the 70 psi pressure relief valve. For a fire suppression system, the meter size may be increased to 1 1/4" along with the service line to the house.